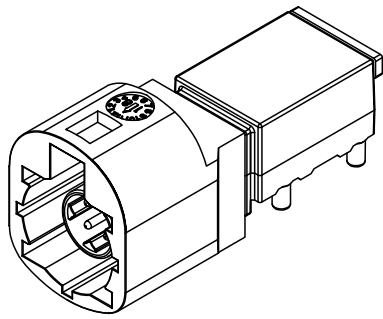
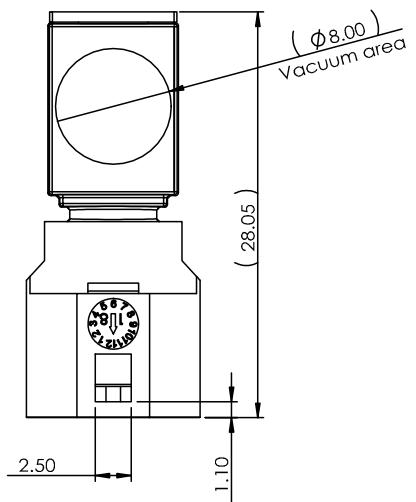


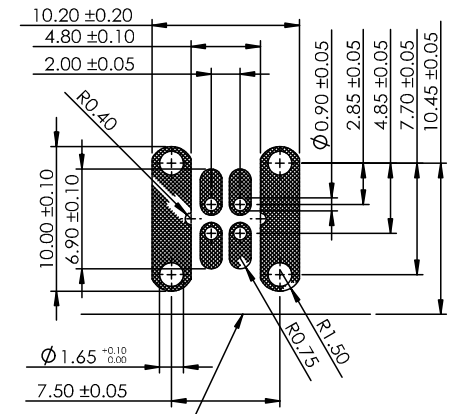
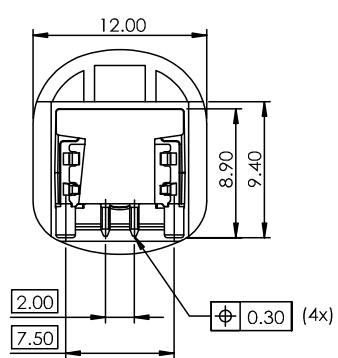
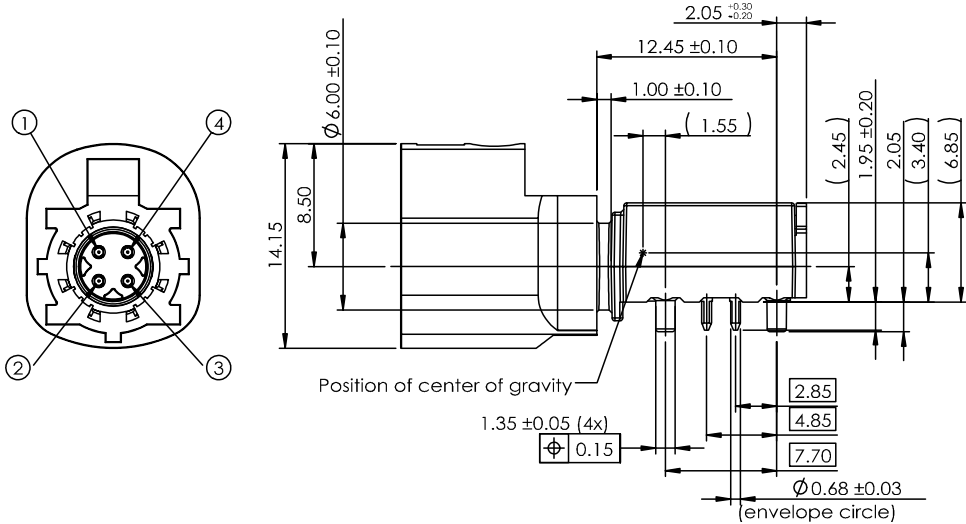
1	2	3	4	5	6	7	8				
THIS DRAWING AND THE DATA DISCLOSED HEREIN OR HEREWITH IS NOT TO BE REPRODUCED USED OR DISCLOSED IN WHOLE OR IN PART TO ANYONE WITHOUT THE PERMISSION OF JESS-LINK PRODUCTS CO.,LTD.(JPC)				CUSTOMER DRAWING DRWC-007700		REV.	ECN NO.	DESCRIPTION	MDF'D	APP'D	DATE
						01		INITIAL DESIGN	Philip	Richard	06/29/2023
						02		UPDATE DRAWING	Philip	Richard	03/11/2024
						03					

A  
B  
C  
D  
E  
F

A  
B  
C  
D  
E  
F

















**SPECIFICATION**  
**MATERIAL**  
 Insulator: PA  
 Contacts: Brass  
 Outer Contacts: Zinc Alloy  
 Contact Plating  
 Contact area: 6u" Selective gold  
 Solder tails area: 120u"~240u" Tin (Lead Free)  
 Underplate: 120u"~240u" Tin (Matte) over 120u"~240u" Nickel over 600~800u" Cu  
**ELECTRICAL**  
 Impedance, differential mode: 100 Ω differential signalling, for one pair or quad cable shielded  
 Frequency: DC to 2.0 GHz  
 Return loss: ≥ 20 dB to 1.0 GHz  
 ≥ 17 dB to 2.0 GHz  
 Insertion loss: ≤ 0.1 dB @ 1.0 GHz  
 Insulation resistance: ≥ 1000MΩ  
 Signal contact resistance: ≤ 10mΩ  
**MECHANICAL**  
 Mating Cycles: ≥ 25 Cycles  
 Engagement force: ≤ 30N  
 Disengagement force: ≥ 5N  
 Retention force latch: ≥ 110 N  
 Coding efficiency: ≥ 80N  
 Temperature range: -40°C TO +105°C  
**PACKING STYLE**  
 Tape & Reel

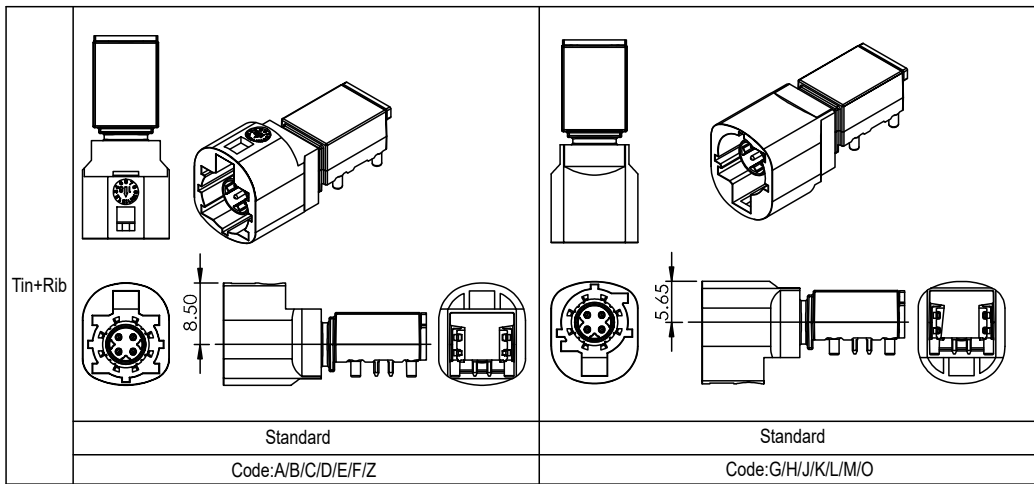



RECOMMENDED P.C.B. LAYOUT  
TOLERANCE: ±0.10mm

<b>RoHS COMPLIANT</b>	Unit:mm(inch)	PROJECTION	<b>JPC connectivity</b>	
	GENERAL TOLERANCES: (UNLESS SPECIFIED)	D.R. 06/29/2023	TITLE	PD./FILE NO.
	0 = ±1 (0.039)	Philip	HSD Header X-Code R/A Shell	
	0.0 = ±5 (0.02)	CH.K 06/29/2023	Height=6.85mm Connector	
0.00 = ±3 (0.012)	Philip	SCALE	SIZE	PART NO.
0.000 = ±.15 (0.006)	APV.D 06/29/2023	3:1	A4	PZANHSDA0104X
0° = ± 2'	Richard			REV. 02
0.0° = ± 1'				SHEET 1 OF 2

Coding	A	B	C	D	E	F	Z
Plug							
Color	Black	White	Blue	Bordeaux	Green	Brown	Water Blue
Coding	G	H	J	K	L	M	O
Plug							
Color	Blue Grey	Heather Violet	Beige	Curry	Yellow Green	Pastel Orange	Light Green

KEY	Product Name	Color	P/N.
A	HSD Plug A-Code R/A Shell Height=6.85mm Connector	Black	PZANHHSDA0104A
B	HSD Plug B-Code R/A Shell Height=6.85mm Connector	White	PZANHHSDA0104B
C	HSD Plug C-Code R/A Shell Height=6.85mm Connector	Blue	PZANHHSDA0104C
D	HSD Plug D-Code R/A Shell Height=6.85mm Connector	Bordeaux	PZANHHSDA0104D
E	HSD Plug E-Code R/A Shell Height=6.85mm Connector	Green	PZANHHSDA0104E
F	HSD Plug F-Code R/A Shell Height=6.85mm Connector	Brown	PZANHHSDA0104F
G	HSD Plug G-Code R/A Shell Height=6.85mm Connector	Blue Grey	PZANHHSDA0104G
H	HSD Plug H-Code R/A Shell Height=6.85mm Connector	Heather Violet	PZANHHSDA0104H
J	HSD Plug J-Code R/A Shell Height=6.85mm Connector	Beige	PZANHHSDA0104J
K	HSD Plug K-Code R/A Shell Height=6.85mm Connector	Curry	PZANHHSDA0104K
L	HSD Plug L-Code R/A Shell Height=6.85mm Connector	Yellow Green	PZANHHSDA0104L
M	HSD Plug M-Code R/A Shell Height=6.85mm Connector	Pastel Orange	PZANHHSDA0104M
O	HSD Plug O-Code R/A Shell Height=6.85mm Connector	Light Green	PZANHHSDA0104O
Z	HSD Plug Z-Code R/A Shell Height=6.85mm Connector	Water Blue	PZANHHSDA0104Z



RoHS COMPLIANT	Unit:mm(inch)	PROJECTION 	JPC connectivity		PD./FILE NO.
	GENERAL TOLERANCES: (UNLESS SPECIFIED)	D.R. 06/29/2023	TITLE		
	0 =±1 (0.039)	Philip	HSD Header X-Code R/A Shell Height=6.85mm Connector		SHEET 2 OF 2
	0.0 =±.5 (0.02)	CH.K 06/29/2023	SCALE	SIZE	
0.00 =±.3 (0.012)	Philip	3:1	A4	PZANHHSDA0104X	
0.000=±.15(0.006)	APV.D 06/29/2023	Richard			
0° =± 2'					
0.0° =± 1'					